

MANUFACTURER:	Roband Australia
MODEL:	Electric Fryers
ORIGIN:	Australia
WARRANTY:	1 yr labour, 2 yr parts (Refer to website) 5 yr fryer tank



By **ROBAND**

## Electric Fryers

### Energy Efficient | High Performance | Longevity | Easy to Clean

The Austheat 3 phase electric Fryers are ideal for take away shops or where high-speed production of fried food, such as fish and chips, is required. They are designed to work either as a stand alone machine or alongside the Austheat Hotplate | Grill in a modular configuration.

Available in Standard or Rapid Recovery (R) models.



AF812  
Reward Code:  
4011150

AF822

AF813

### FEATURES

#### AF812 (Reward Code: 4011150)

- Single pan includes two baskets, 29 litre oil capacity.

#### AF813 & AF813R

- Single pan includes three baskets, 39 litre oil capacity.

#### AF822

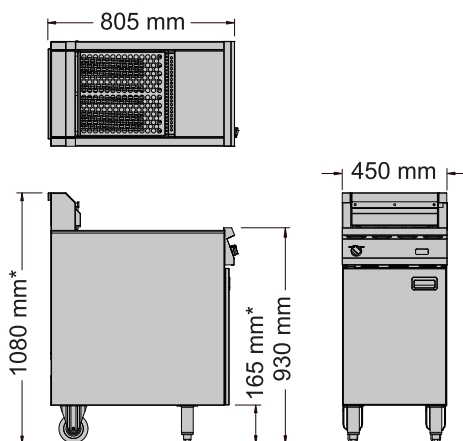
- Double pan includes two baskets, 2 x 14 litre oil capacity.
- Two tanks with individual controls allows separation of flavours and ability to shut down one tank in quieter times

- High performance; high output with fast recovery
- Easy to clean – elements swing out and up in seconds, providing access to a smooth open tank for easy cleaning
- Dual control thermostats enabling easy switching between cooking & idle standby settings, second thermostat doubles as a back up.
- Heat generated directly into the oil to reduce ambient impact on the kitchen environment/staff
- No gas flame for a “cleaner” working environment
- Electric immersion elements can outlast gas burners and have lower replacement costs
- Safety thermostat with manual reset over-temp safety cut-outs
- Castors on the rear and adjustable legs at the front come as standard, baskets too.

### SPECIFICATIONS

MODEL	BASKETS No.	TOTAL POWER	TOTAL CURRENT Amps	PHASE	PRODUCT DIMENSIONS W X D X H (MM)	COOKING TIME* (per 1.5 kg)	HOURLY OUTPUT PER HOUR* (frozen), (thawed)	HEAT UP TIME (to 185 °C)
SINGLE TANK								
AF812	2	14.6 kW	63.0	3 (+N)	450 x 805 x 1080	2-3 mins	32 kg, 39 kg	10 mins
AF812R	2	16.7 kW	72.3	3 (+N)	450 x 805 x 1080	2-3 mins	35 kg, 42 kg	9 mins
AF813	3	16.7 kW	72.3	3 (+N)	600 x 805 x 1080	2-3 mins	40 kg, 49 kg	10 mins
AF813R	3	21.5 kW	93.6	3 (+N)	600 x 805 x 1080	2-3 mins	45 kg, 55 kg	8.5 mins
DOUBLE TANK								
AF822	2	14.1 kW	60.9	3 (+N)	450 x 805 x 1080	2-3 mins	32 kg, 39 kg	10 mins

\*Approximate productivity 12 mm sq. blanched chips.



AF812 & AF812R dimensions